

# Installation Instructions

Mono Basin Mixer  
Mono Basin Mixer Extended  
Mono Bidet Mixer

# Installation Instructions

## Important - Please Read

Please read these instructions carefully before starting installation and keep for future reference.

Remove all packaging and check the product for missing parts or damage before starting installation. Any alterations made to this product and fittings may infringe water regulations and will invalidate the guarantee. The installation must comply with all Local/National Water Supply Authority Regulations/ Byelaws and Building and Plumbing (UK:BS6700) Regulations. We strongly recommend that you use a qualified and registered plumber.

## General Installation

These fittings are mixing devices and therefore water supplies must be reasonably balanced. Where connections are made to the mains cold water supply, WRC approved single check valves must be fitted to both hot and cold inlets. This is a stated requirement of Water Supply (Water Fittings) Regulations 1999 Schedule 2, Section 6 G15.13.2 Before making any inlet pipe connections, all supply pipes **MUST** be thoroughly flushed to remove debris. Failure to do so could result in damage or low flow from the mixer unit. Water Supply (Water Fittings) Regulations 1999 Schedule 2 Section 4 G13.1 The fitting of isolating valves to the inlet feeds is advised for ease of maintenance. Please take great care when installing this mixer not to damage its surface.

## Care of the Mixer

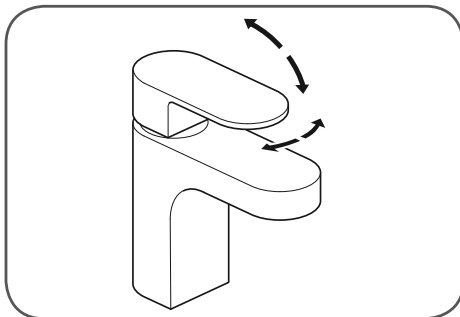
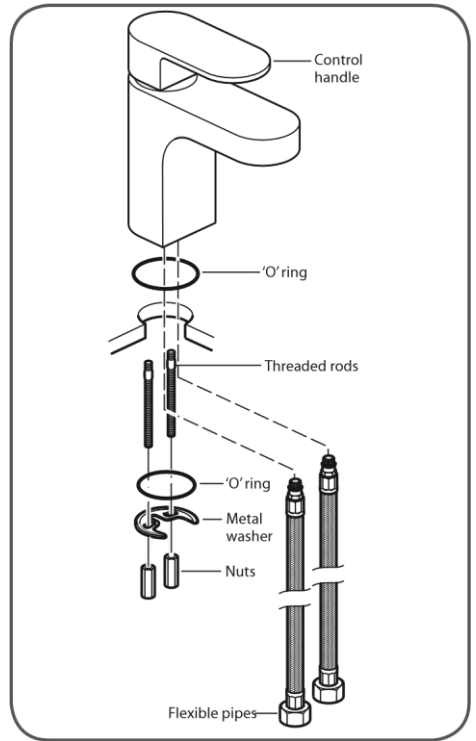
Our products are finished to the highest standard and due care needs to be taken to ensure their looks are retained. We recommend cleaning all products with a soft damp cloth **ONLY** and advise strongly against the use of **ALL** cleaning products i.e. powders and liquids. If the above instructions are not followed this will invalidate your guarantee in the event of a problem occurring.

## Installation

Before installing your new mixer, flush through the pipework to ensure removal of debris, turn off the water supply. Screw the two copper pipes to the mixer body, tighten using the correct size spanner, but do not over tighten. Screw the threaded rods into the back holes in the base of the mixer body. Ensure the 'O' ring is in place in the bottom of the mixer. Position the mixer on the basin. From the underside of the basin slide the 'O' ring over the pipes and threaded rods followed by the metal washer and the nut (ensure the 'O' ring is in the groove in the washer). Tighten the nuts to clamp the mixer to the basin.

**CAUTION: Do not over tighten the nuts as this may damage the basin.**

Connect the water supply to the inlet pipes. The hot water should be connected to the left hand pipe.



## Operation

on = up off = down

hot = left cold = right

Moving the mixer lever upwards/downwards will increase/decrease the flow of water. Moving the mixer lever from right to left will increase the water temperature.

Due to our commitment to continuous product development we reserve the right to alter specifications without notice. Products are guaranteed against manufacturing defects for the first purchaser only and the guarantee is non-transferable. Our liability under any guarantee expressed or implied is strictly limited to replacement of defective goods or a refund at our discretion and no consequential losses will be entertained. Proof of purchase will be required.